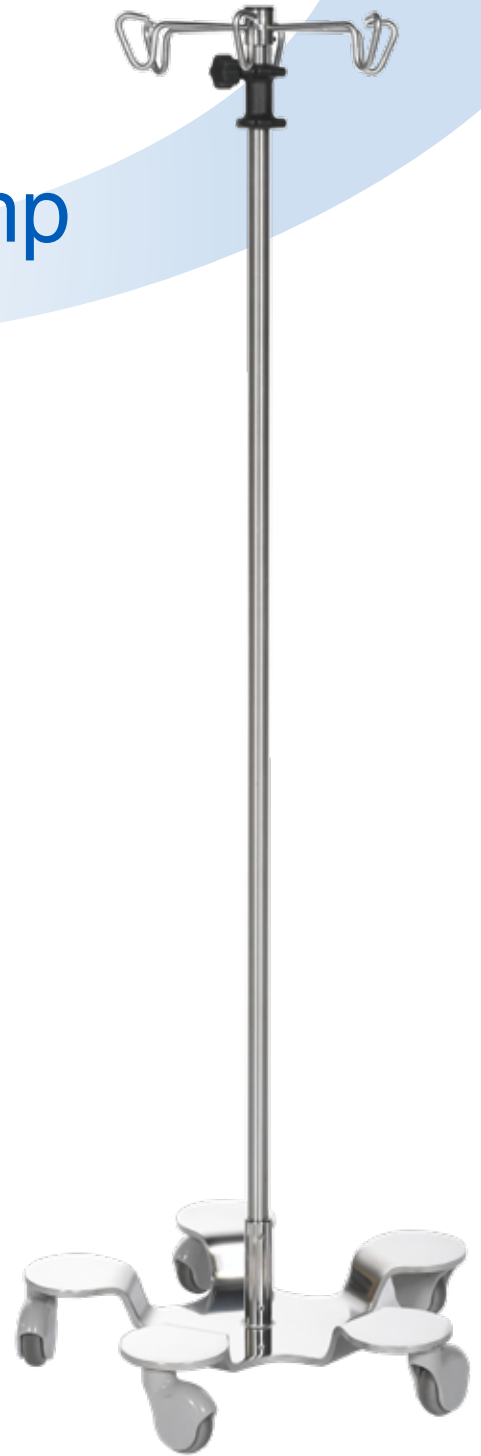




infusion pump stands





23" diameter base

P-1080-6

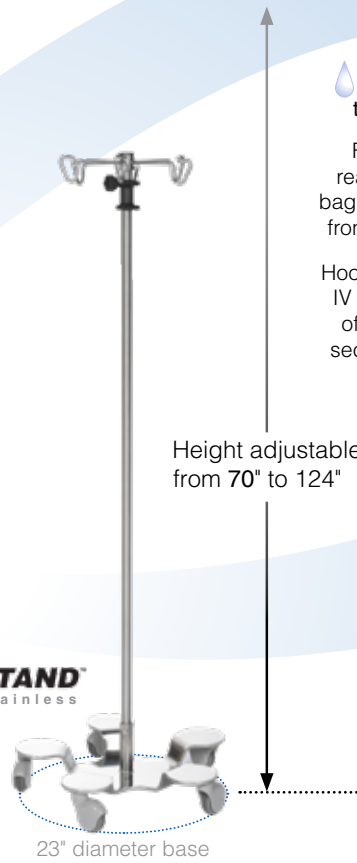
features

- Stainless steel IV hook assembly features six hooks.
- Bag Drop Prevention Device allows for controlled descent of pole.
- Accommodates up to six infusion pumps.
- Pole sleeve welded securely to the base for reinforced stability.
- Sealed 3" composite rust resistant casters with precision ball bearings.
- Durable powder coat finish base.

P-1083-6

Pole made from CuVerro® bactericidal copper alloy.

- Height Adjustment from 64" to 124"



23" diameter base

P-1080-6-SS

features

- Stainless steel IV hook assembly features six hooks.
- Bag Drop Prevention Device allows for controlled descent of pole.
- Accommodates up to six infusion pumps.
- Pole sleeve welded securely to the base for reinforced stability.
- Sealed 3" composite rust resistant casters with precision ball bearings.
- Corrosion resistant stainless steel base.

clearview technology™

10" (25 cm)

For the easy reading of all IV bag labels from the front of the stand.

Hooks are ideal for IV piggybacking of primary and secondary bags.



23" diameter base

P-1080-CV

features

- High impact molded polymer IV hook assembly features six hooks.
- Bag Drop Prevention Device allows for controlled descent of pole.
- Accommodates up to six infusion pumps.
- Pole sleeve welded securely to the base for reinforced stability.
- Sealed 3" composite rust resistant casters with precision ball bearings.
- Durable powder coat finish base.

P-1083-CV

Pole made from CuVerro® bactericidal copper alloy.

- Height Adjustment from 75" to 124"

Accessories

Universal Clamp	P-3500
Required for mounting most accessories	
I.V. Set Organizer.....	P-1080-B
Also holds secondary bags	
I.V. Hooks (Stainless).....	P-1080-J
Additional two hooks	
O2 Holder (E-size tanks)	P-3601

* Universal Clamp included in all the above

Accessories

Patient Handle (Stainless)	P-3301
Patient Handle (Black).....	P-3302-BLK
Wire Basket (Stainless - Large)	P-3201
Wire Basket (Black - Large)	P-3202
Wire Basket (Stainless - Medium)	P-3211
Wire Basket (Black - Medium).....	P-3212
Outlet Strip (Six - Hospital Grade).....	P-3401

* Universal Clamp included in all the above

Accessories

Infusion Pump Holder (Multiple).....	P-1080-C
Infusion Pump Hoop.....	P-1080-F
Infusion Pump Hoop (CuVerro®).....	P-1083-F
Foley Hook (2 Hooks).....	P-1080-D
<i>Universal Clamp included in all the above</i>	
Foley Hook (1 Hook).....	P-1080-E

* Factory installed