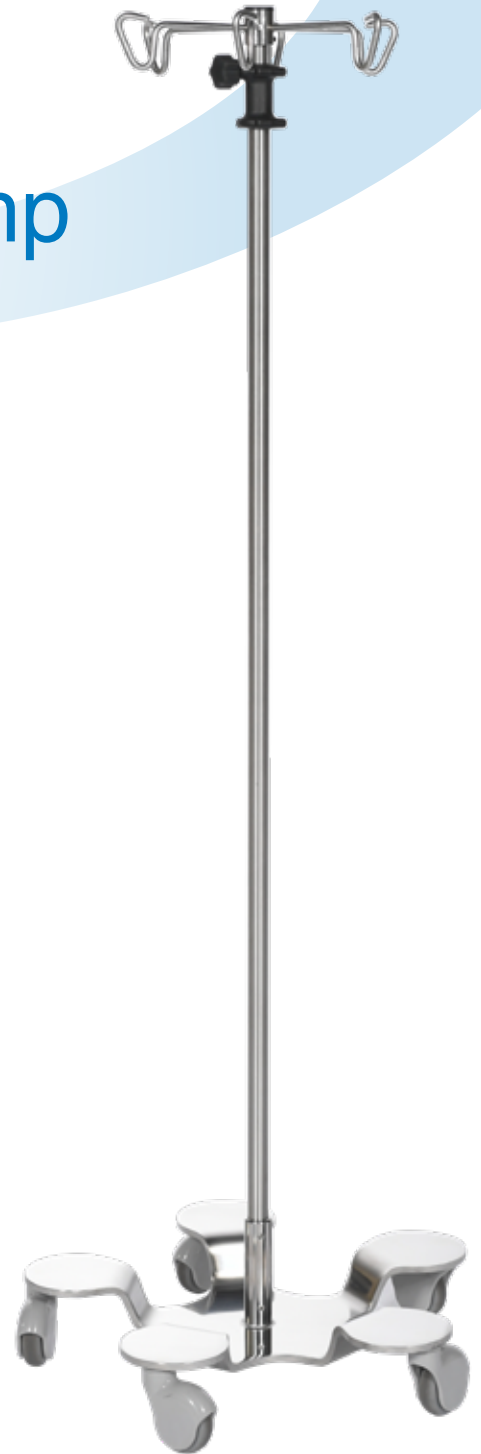




infusion pump  
stands





23" diameter base

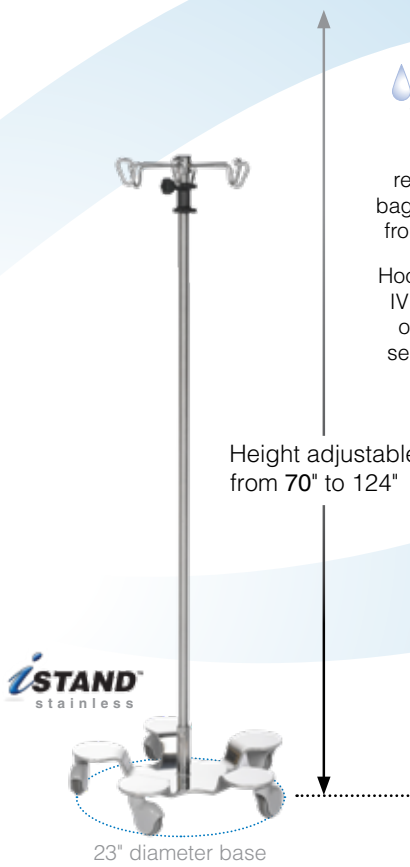
### P-1080-6

*features*

- Stainless steel IV hook assembly features six hooks.
- Bag Drop Prevention Device allows for controlled descent of pole.
- Accommodates up to six infusion pumps.
- Pole sleeve welded securely to the base for reinforced stability.
- Sealed 3" composite rust resistant casters with precision ball bearings.
- Durable powder coat finish base.

### P-1083-6

Pole made from CuVerro® bactericidal copper alloy.

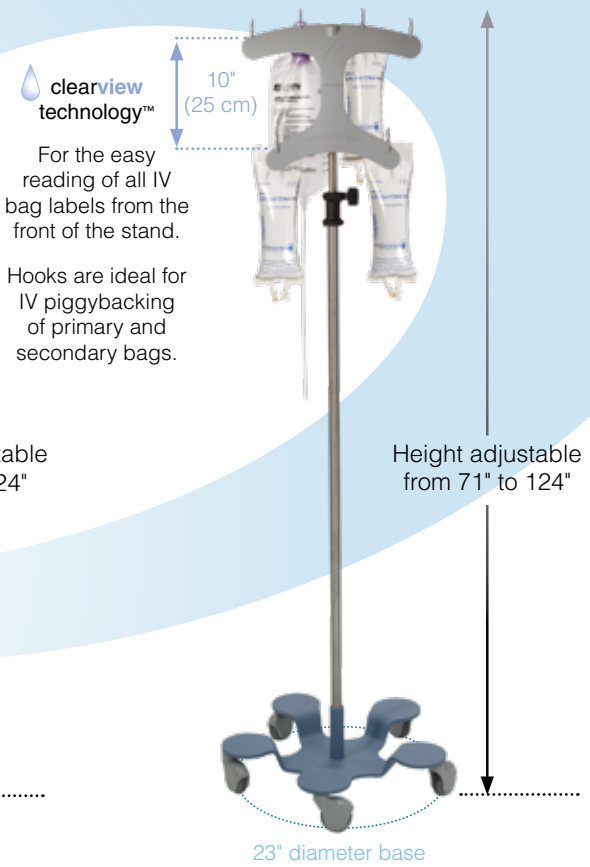


23" diameter base

### P-1080-6-SS

*features*

- Stainless steel IV hook assembly features six hooks.
- Bag Drop Prevention Device allows for controlled descent of pole.
- Accommodates up to six infusion pumps.
- Pole sleeve welded securely to the base for reinforced stability.
- Sealed 3" composite rust resistant casters with precision ball bearings.
- Corrosion resistant stainless steel base.



23" diameter base

### P-1080-CV

*features*

- High impact molded polymer IV hook assembly features six hooks.
- Bag Drop Prevention Device allows for controlled descent of pole.
- Accommodates up to six infusion pumps.
- Pole sleeve welded securely to the base for reinforced stability.
- Sealed 3" composite rust resistant casters with precision ball bearings.
- Durable powder coat finish base.

### P-1083-CV

Pole made from CuVerro® bactericidal copper alloy.

Accessories	Accessories	Accessories
Universal Clamp ..... P-3500 Required for mounting most accessories	Patient Handle (Stainless) ..... P-3301 Patient Handle (Black)..... P-3302-BLK	Infusion Pump Holder (Multiple).....P-1080-C Infusion Pump Hoop..... P-1080-F Infusion Pump Hoop (CuVerro®)..... P-1083-F
I.V. Set Organizer.....P-1080-B Also holds secondary bags	Wire Basket (Stainless - Large) ..... P-3201 Wire Basket (Black - Large) ..... P-3202 Wire Basket (Stainless - Medium) ..... P-3211 Wire Basket (Black - Medium)..... P-3212	Foley Hook (2 Hooks).....P-1080-D <i>Universal Clamp included in all the above</i>
I.V. Hooks (Stainless)..... P-1080-J Additional two hooks	Outlet Strip (Six - Hospital Grade)..... P-3401	Foley Hook (1 Hook)..... P-1080-E * Factory installed
O2 Holder (E-size tanks) ..... P-3601		
* Universal Clamp included in all the above	* Universal Clamp included in all the above	

