

**SPECIFICATIONS**

Model Number	7500 <sup>N</sup>	7500 <sup>W</sup>
Weight Capacity	750 lbs. (340 kg)	750 lbs. (340 kg)
Overall Length	83" (211 cm)	83" (211 cm)
Overall Width	29.5" (75 cm)	33.5" (85 cm)
<b>Height Range</b>		
Low	23" (58 cm)	23" (58 cm)
High	32.75" (83 cm)	32.75" (83 cm)
<b>Litter Positioning</b>		
Fowler Backrest	0°-90°	0°-90°
Trendelenburg	+12°	+12°
Reverse Trendelenburg	-7°	-7°
Patient Surface	77" x 27" (196 x 69 cm)	77" x 31" (196 x 77 cm)
Side Rails	14" x 76" (36 x 193 cm)	14" x 76" (36 x 193 cm)
Casters	8" (20 cm)	8" (20 cm)
Warranty *	1 year parts and labor	1 year parts and labor

\* 7500 Special Package Warranty (7500-SPEC): 2 year parts and labor.

**OPTIONS**

Accessory	N	W	Accessory	N	W	Accessory	N	W
<b>X-Ray Board</b>			<b>IV Pole Options:</b>			<b>Pedal Configuration Options:</b>		
Full .....	750203	750204	Fixed Height .....	2101	same	Hydraulic Release Pedal 750106		same
Partial .....	750205	750206	Adjustable / Removable .....	5984001	same	Foot-End <b>iS6™</b> Pedal.....	750107	same
<b>Mattresses:</b>			Adjustable / Attached.....	750501	750502	Foot-End <b>iS6™</b> Pedal & Hydraulic Release Pedal .....	750108	same
3" Standard (black).....	5828002	5831002	Fold Down .....	59175001	same	<b>Additional Options:</b>		
3" Premium (blue).....	5850002	5852002	IV Pole Caddy .....	59163001	same	Digital Scale .....	750214	same
4" Standard (black).....	5829002	5832002	<b>Push/Pull Bar Options:</b>			Storage Bag Hook.....	750215	same
4" Premium (blue).....	5851002	5853002	Push/Pull Handles (CuVerro®) 750223		same	Paper Roll Holder .....	5966001	5966003
4" Pressure Relief .....	5833002	5834002	Push/Pull Bar (Removable) ..	5985001	5986001	O <sub>2</sub> Tank Holder (Vertical)..	5981001	same
5" Premium (blue)†.....	5855002	5856002	Bar Pad .....	5704001	5705001	400N (90#) pneumatic assist fowler .....	750602	same
† Special order only.			Chart Holder.....	5967001	same	Head/Foot Extension .....	5996001	same
<b>Restraint Straps Options:</b>			Monitor Tray Board .....	59115001	59116001	Head/Foot 3" Pad.....	5708001	same
Velcro (pair).....	5903001	same	(includes chart holder 5967001)			Stirrups Set.....	59100001	same
Buckle (pair).....	5904001	same	<b>Knee Flex</b>					
<b>Side Rail Options:</b>			Hand Crank .....	750201	750202			
CuVerro® Rails .....	750302	same	Hydraulic .....	750208	750209			
Rail Pad (pair) .....	5716001	same						
<b>Color-Coded Bumper Options:</b>								
Red .....	750401	same	Leg Lift					
Teal .....	750402	same	Knee Flex					
			Trauma					

stretcher series  
**7500**

**STANDARD FEATURES**

- 750 lbs. weight capacity
- **iS6™** Instant Steer 6 Wheel Steering
- Side Rails - dual release stainless steel glide & tuck
- Integrated push/pull handles
- Center column design with precision ball bearings
- Quick-Release O<sub>2</sub> Tank Holder (US Patent 7,865,984 B2)
- Dual Trendelenburg assist cylinders (positive/negative - pneumatic)
- Mechanical Level Lock
- Pneumatic assist fowler 600N (135#) force
- Dual side-mounted hydraulic foot pedals
- Brake & Steer activated foot pedals
- Four corner IV pole receptacles
- Four restraint strap positions
- Full PVC perimeter bumper
- 8" easy mobility casters
- Latex-free

stretcher series  
**7500**  
transport / trauma stretcher



# stretcher series 7500

Pedigo's 7500 Series Stretcher allows for the transfer of patients easily and comfortably with a load capacity up to 750 pounds. Superior stability, mobility, and braking capabilities make the 7500 versatile for all your department needs such as OR, ED, PACU, Patient Transportation, Radiology or Cath Lab.



**1 RAIL SYSTEM:**  
Full length stainless steel side rails feature integrated push-pull handles with latch releases located at all four corners of the stretcher. Easy one-handed operation. No hinges, mechanical connections or plastic couplings to trap debris or fluid. Easy to wipe clean and disinfect.



**2 OXYGEN TANK HOLDER:**  
Pedigo's ergonomic Quick-Release O<sub>2</sub> Tank Holder is side mounted and conveniently located under the patient surface to reduce caregiver bending. (US Patent 7,865,984 B2)



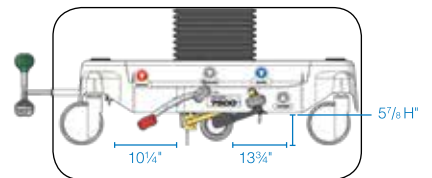
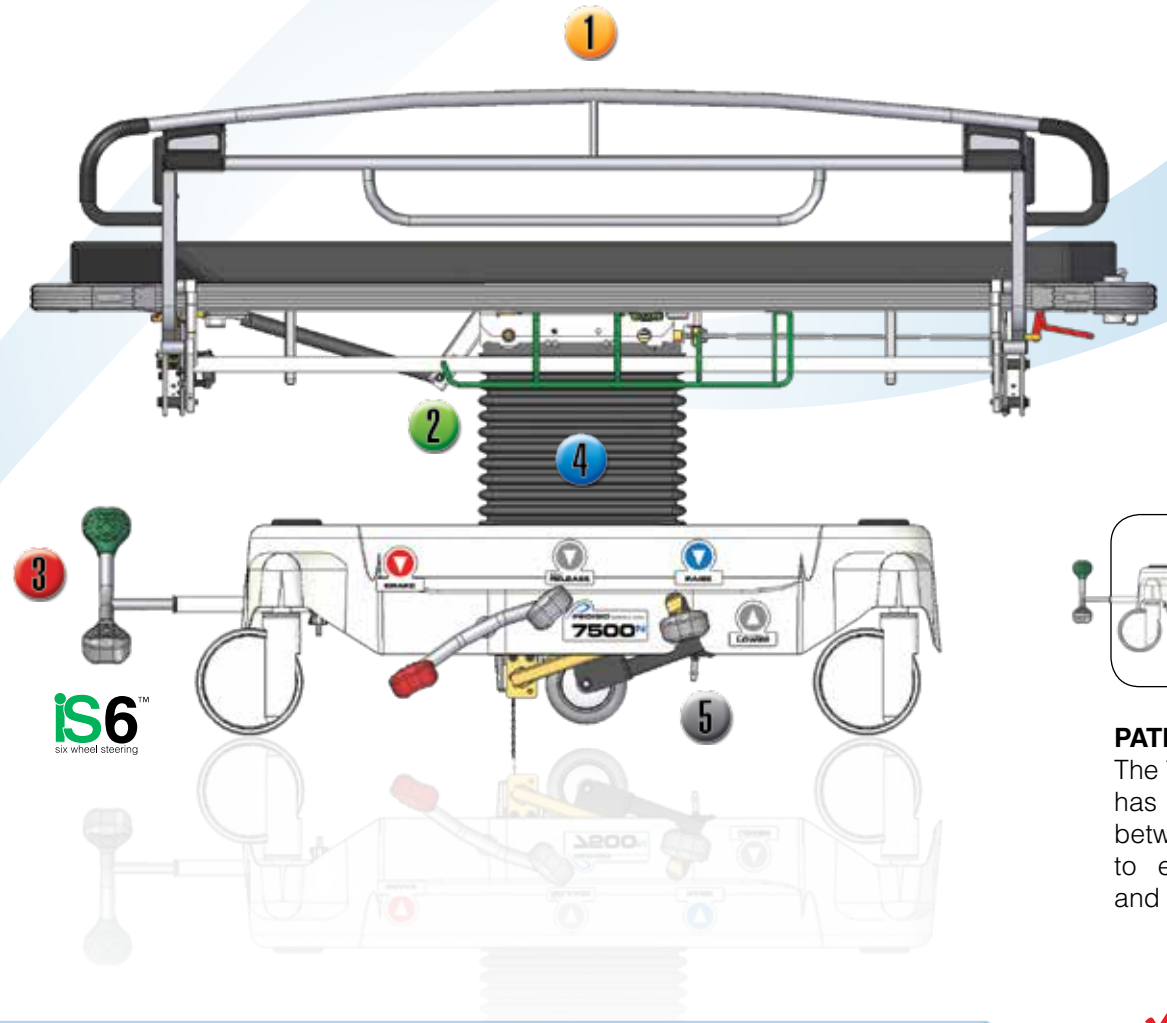
**3 new IS6™ - INSTANT STEER SIX WHEEL STEERING:**  
The two IS6™ wheels are centered directly under the chassis for increased maneuverability and control. Dual ball bearing wheels feature a softer wheel tread for improved grip and traction.



**4 CENTER COLUMN SUPPORT:**  
Sturdy steel column with single hydraulic lift cylinder design uses sixteen precision ball-bearings to smoothly raise and lower the patient.



**5 HYDRAULIC HEIGHT ADJUSTMENT FOOT PEDALS:**  
Hydraulic Foot Pedals are located on each side of the stretcher within the patient care zone. Color-coded pedals and function graphics are quickly and easily understood.



**PATIENT LIFTS:**  
The 7500 Series Stretcher has 5<sup>7</sup>/<sub>8</sub>" H of clearance between floor and cowling to easily accommodate and utilize patient lifts.

## stretcher options



### STRETCHER SCALE

Backlit LCD scale display reads to the nearest pound with a +/- margin of 5 pounds throughout the entire 750 pound range. Instrumentation cable is routed through frame so as not to interfere with patient or peripheral components.

**ZERO**  
Scale can be zeroed to adjust for any accessories or additional gear on the litter top.

**WEIGH**  
Stores patient weight to memory when patient is weighed.

**RECALL / HOLD**  
Weight can be recalled even if patient is not on stretcher.

**MODE**  
One button switch from pounds to kilograms.



**CuVerro®**  
Antimicrobial Copper Surfaces

Now as an added protection in the ongoing battle with bacteria, Pedigo offers the option of side rails made from **CuVerro® antimicrobial copper alloy**.

Copper is an intrinsic antimicrobial element and **CuVerro®** is the **ONLY** solid touch surface metal registered by the EPA to continuously kill bacteria<sup>1</sup> that cause infections and pose a risk to human health. Lab tests show more than 99.9% of bacteria<sup>1</sup> associated with disease and infection, including MRSA<sup>1</sup>, are killed within two hours when in contact with copper. Bacteria will continue to be killed 24 hours a day, week after week, between regular cleanings.

Antimicrobial Copper **Cu<sup>+</sup>**

<sup>1</sup> CuVerro® alloys have proven effectiveness on MRSA (Methicillin-Resistant Staphylococcus aureus), Staphylococcus aureus, Enterobacter aerogenes, Pseudomonas aeruginosa, and Escherichia coli 0157:H7 and VRE (Vancomycin-Resistant Enterococcus). CuVerro is a registered trademark of GBC Metals LLC, d/b/a Olin Brass.

**LATEX-FREE**



### IV CADDY

Quickly and easily secure an IV pole to a stretcher using Pedigo's IV Caddy. Allows one caregiver to manage the safe transport of the patient, stretcher and IV equipment. Stores under litter top when not in use.